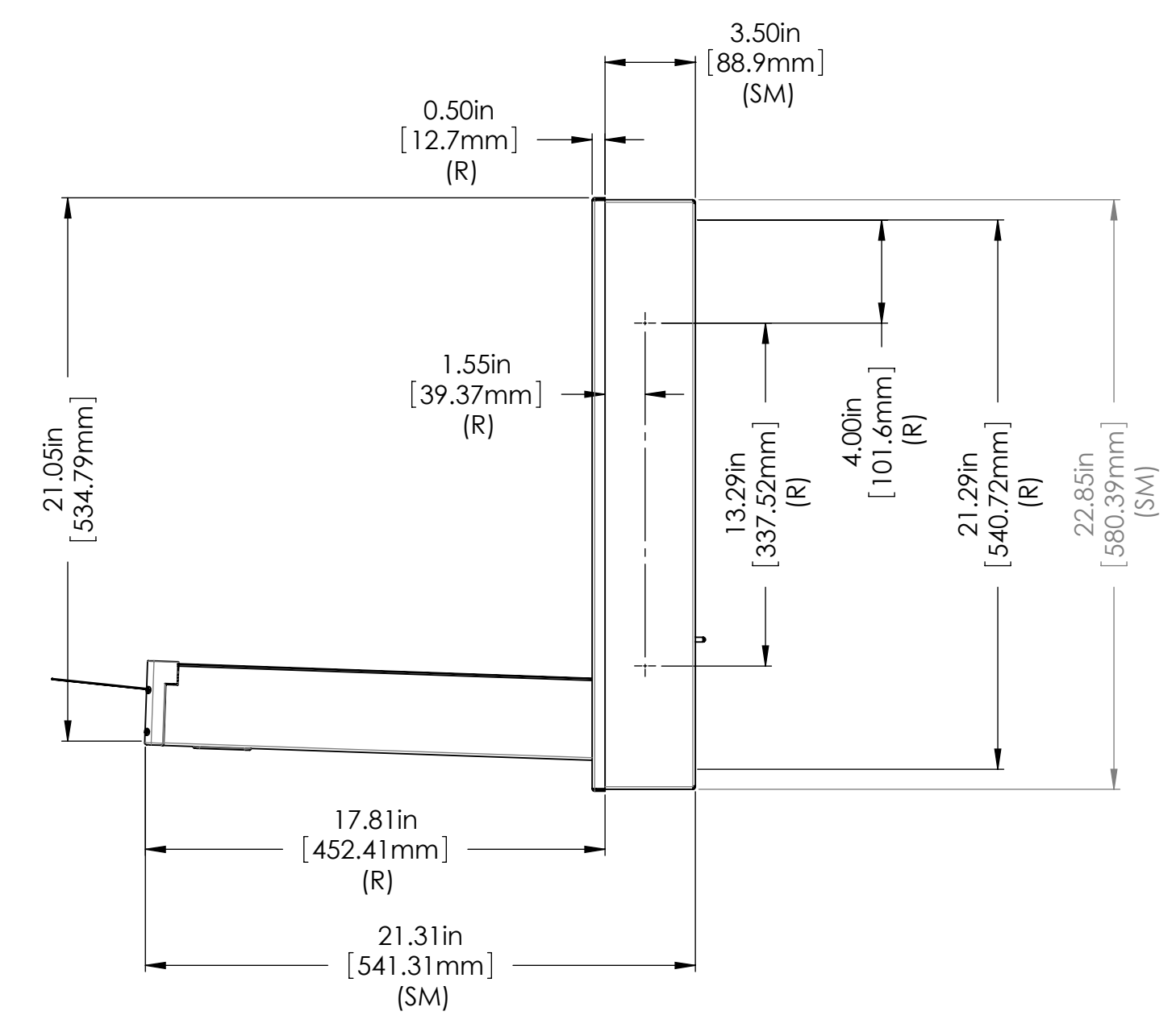
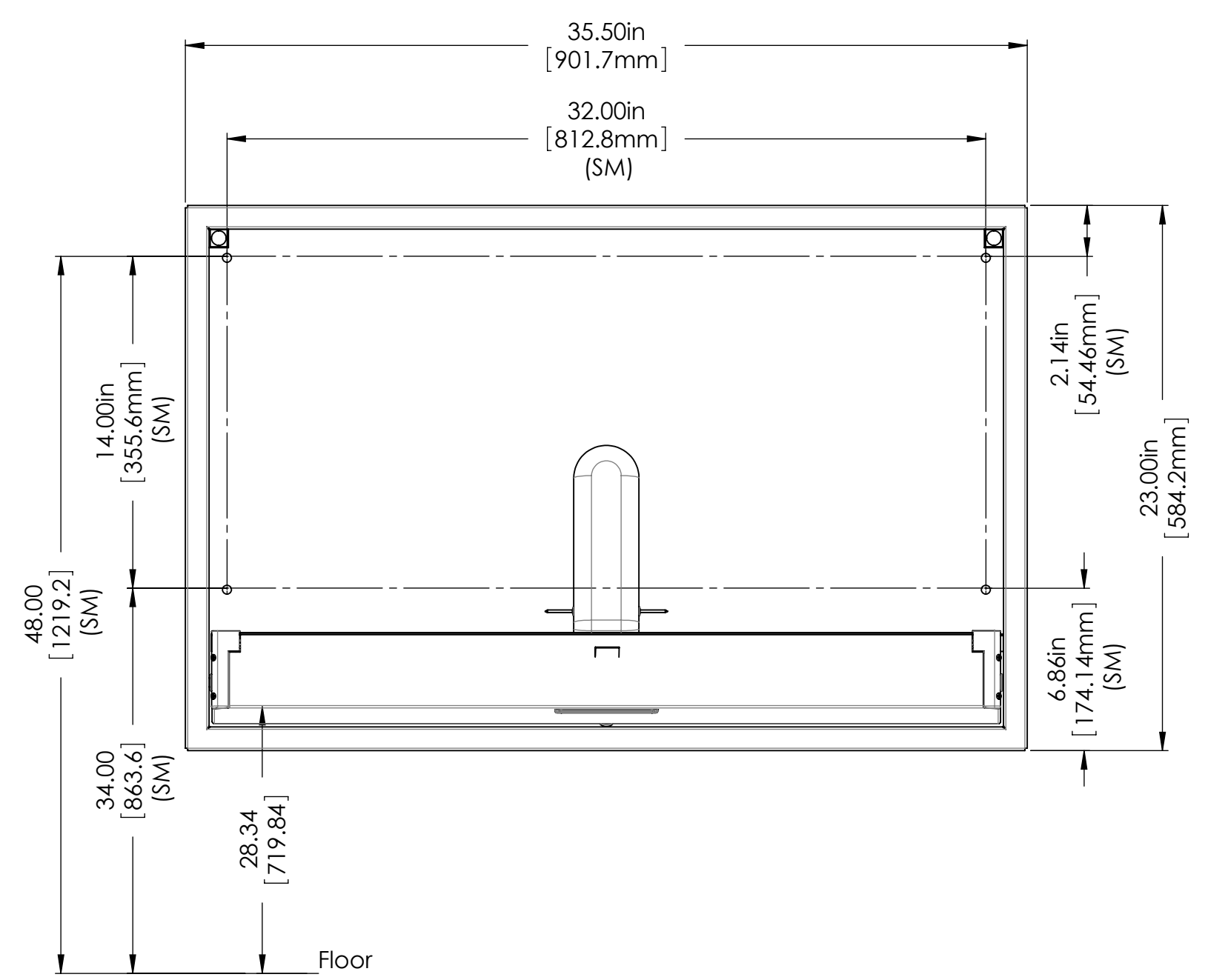
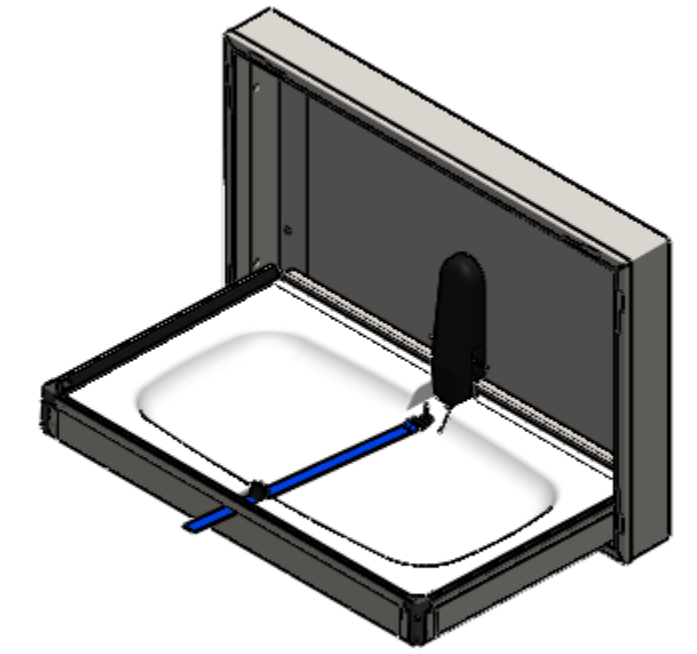
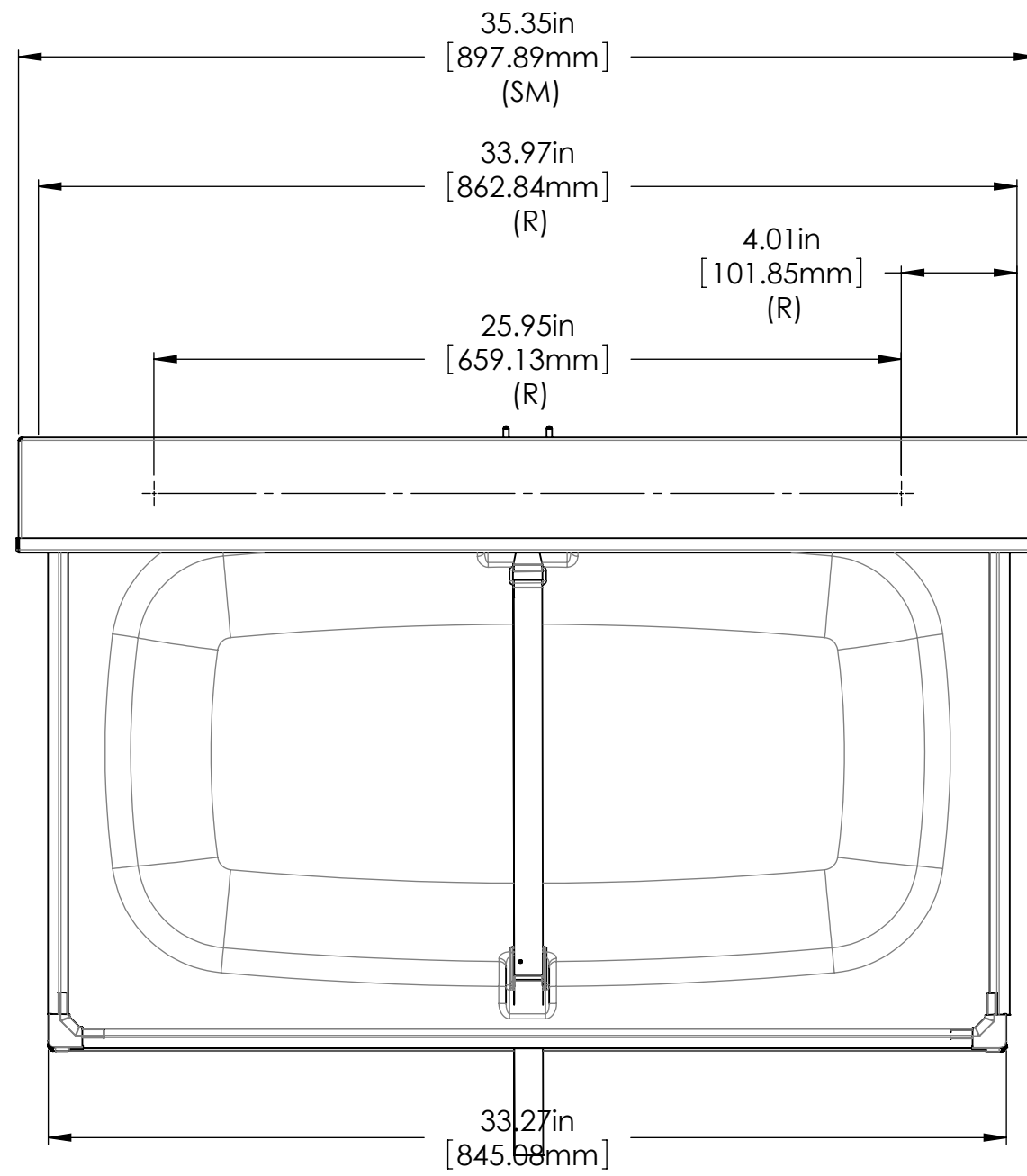


REV.	DESCRIPTION	DATE	APPROVED
0	Initial Release	1/5/2009	JXxxx
1	A.F.F. height change: 50.25in to 48.0in top-mounting hole	2/06/13	LP



**Notes:**  
SM - Surface Mount  
R - Recessed Mount

<small>DIMENSIONAL TOLERANCES: (UNLESS OTHERWISE SPECIFIED)</small> FRACTIONAL: $\pm \frac{1}{32}''$ MACHINED ANGLES: $\pm 0.5^\circ$ BEND ANGLES: $\pm 1.0^\circ$ 0.XX: $\pm 0.040$ in [1mm] 0.XXX: $\pm 0.0150$ in [0.38mm]			
		DESCRIPTION: Architectural Layout for 100SS	
MATERIAL:	N/A	PART NO:	Arch - 100 SS
FINISH:	N/A	SCALE:	NTS
		REV:	1
		DATE:	1/4/2009
		SIZE:	C
		SHEET:	1 of 1
<b>PROPRIETARY AND CONFIDENTIAL</b>		<small>THE INFORMATION CONTAINED IN THIS DRAWING IS THE EXCLUSIVE PROPERTY OF FOUNDATIONS WORLDWIDE, INC. ANY REPRODUCTION OR USE OF THIS DRAWING, IN PART OR IN WHOLE WITHOUT THE EXPRESSED PERMISSION OF FOUNDATIONS WORLDWIDE, INC IS PROHIBITED.</small>	