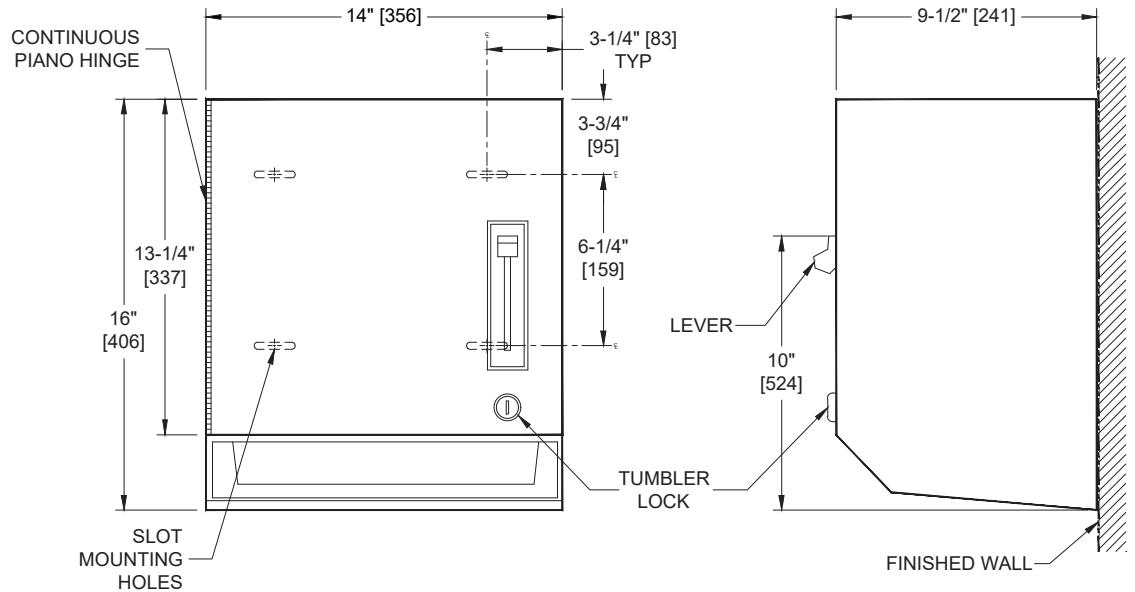


**Roll Paper Towel Dispenser (Lever-type), Stainless Steel – Surface Mounted**

Paper Towel Dispensers

Traditional

MasterFormat Section 10 28 13



Scan for Information



**SUSTAINABILITY/LEED**

MR 4.1 (1) MR 6 (1) EQ 4.2 (1)  
MR 4.2 (1) EQ 4.1 (1) EQ 4.4 (1)

**NOTE:**  
ALL DIM'S INCH [MM]  
ILLUSTRATION FOR REF ONLY AND NTS  
FOR CLEANING INSTRUCTIONS SEE APPROPRIATE SECTIONS IN  
PRODUCT CARE & MAINTENANCE BULLETIN (PCM) ON ASI WEBSITE

**PRODUCT OVERVIEW**

Mechanical unit dispenses a pre-set length per cycle from 8" [203] or 9" [229] wide, 800 ft. (244 m) long rolls. Towels are fed by lever action until supply is depleted. Towel feed length is adjustable for economy by pin (supplied) limiting of lever stroke length by owner. Unit may be reloaded with a full roll to automatically start when finished with an existing partial roll. Locking door prevents unauthorized access or removal.

**KEY FEATURES & SPECIFICATIONS**

- Manual - Lever Type Dispenser
- Owner controlled adjustable paper feed length
- Type 304 Stainless Steel - Satin Finish
- Surface Mounted
- Manual - Lever Type Dispenser
- Roll Towels - up to 800 ft. [244M] Length

**OPERATION & MAINTENANCE**

Towels are fed by lever action until supply is depleted. Towel feed length is adjustable for economy by pin (supplied) limiting of lever stroke length by owner. Unit may be reloaded with a full roll to automatically start when finished with an existing partial roll. Locking door prevents unauthorized access or removal.

**TECHNICAL INFORMATION / PRODUCT PROPERTIES**

Property	Value
Dimensions	14" [356] W x 16" [406] H x 9-1/2" [241] D
Construction	Type 304 Stainless Steel - Satin Finish
Power	N/A
Operation	Manual, hand pull on lever
Mounting	Surface Mounted
Capacity	Roll Towels - up to 800 ft. Length

**INSTALLATION**

Surface mount unit to wall using #10 fasteners (by others) through concealed mounting holes provided. For compliance with 2010 ADA Accessibility Standards install unit so that top of towel dispenser lever is 48" [1219] maximum above finished floor (AFF).

**WARRANTY**

One (1) Year from date of Invoice