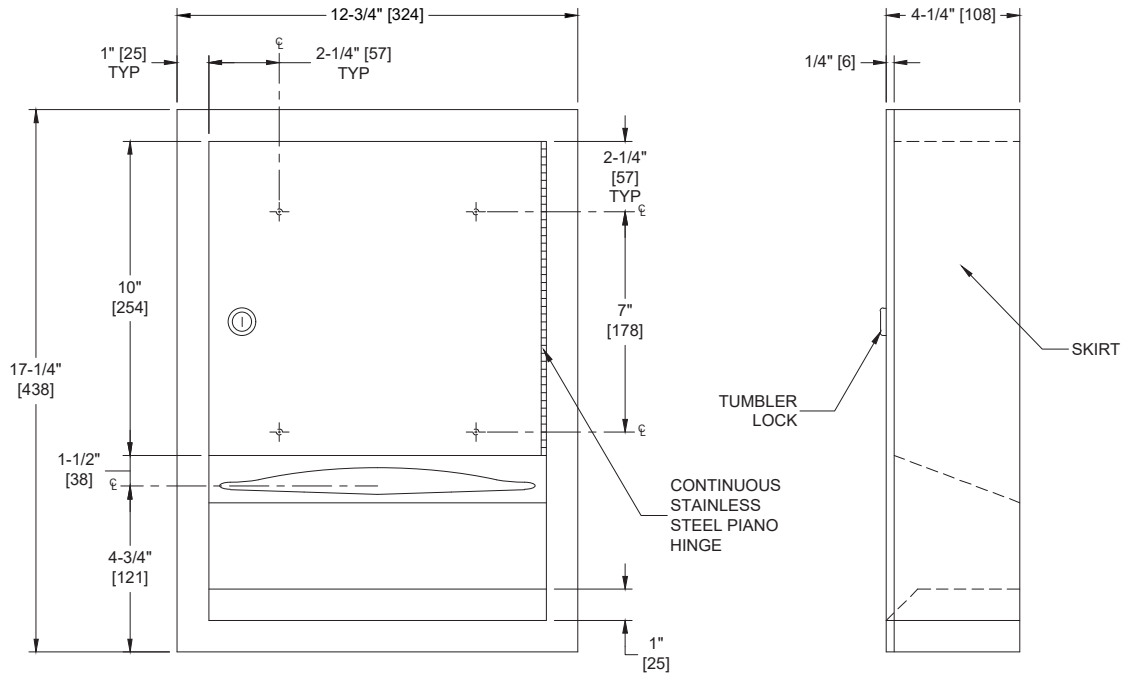


Paper Towel Dispenser (Multi - C-Fold) – Surface Mounted

Paper Towel Dispensers

Traditional

MasterFormat Section 10 28 13



Scan for Information



SUSTAINABILITY/LEED

MR 4.1 (1) MR 6 (1) EQ 4.2 (1)
MR 4.2 (1) EQ 4.1 (1) EQ 4.4 (1)

NOTE:
ALL DIM'S INCH [MM]
ILLUSTRATION FOR REF ONLY AND NTS
FOR CLEANING INSTRUCTIONS SEE APPROPRIATE SECTIONS IN
PRODUCT CARE & MAINTENANCE BULLETIN (PCM) ON ASI WEBSITE

PRODUCT OVERVIEW

Dispenses 350 C-fold or 475 multi-fold paper towels; well-suited for smaller washrooms with less space and traffic. Surface mount unit Dispenses 350 C-fold or 500 multi-fold paper towels; well-suited for smaller washrooms with less space and traffic. Surface mounted with stainless steel collar. Towels are self-feeding until supply is depleted. Unit may be reloaded with a partial load in-place and will continue to feed properly with a 2" collar. Towels are self-feeding until supply is depleted. Unit may be reloaded with a partial load in-place and will continue to feed properly.

KEY FEATURES & SPECIFICATIONS

- Compact size for smaller spaces
- Towel slot has a fully hemmed edge for snag-free dispensing and user safety
- Type 304 Stainless Steel - Satin Finish
- Surface Mounted - w/ 9" Collar
- Pull Type
- 350 C-Fold OR 475 Multi-Fold

OPERATION & MAINTENANCE

Towels are self-feeding until supply is depleted. Towels are refilled from the bottom via two push-up flaps.

TECHNICAL INFORMATION / PRODUCT PROPERTIES

Property	Value
Dimensions	12-3/4" [324] W x 17-1/4" [438] H x 4-1/4" [108] D
Construction	Type 304 Stainless Steel - Satin Finish
Power	N/A
Operation	Manual - Pull Type
Mounting	Surface Mounted
Capacity	350 C-Fold OR 475 Multi-Fold

INSTALLATION

Unit is surface mounted to wall using #10 self-threading screws (by others) through concealed mounting holes provided. For compliance with 2010 ADA Accessibility Standards install unit so that centerline of towel dispenser slot is 48" [1219] maximum above finished floor (AFF). Note that top of RWO is 3/4" [19] below top of unit. SM collar is installed on cabinet prior to mounting to wall following procedure described on SM Collar Data Sheet.

WARRANTY

One (1) Year from date of Invoice