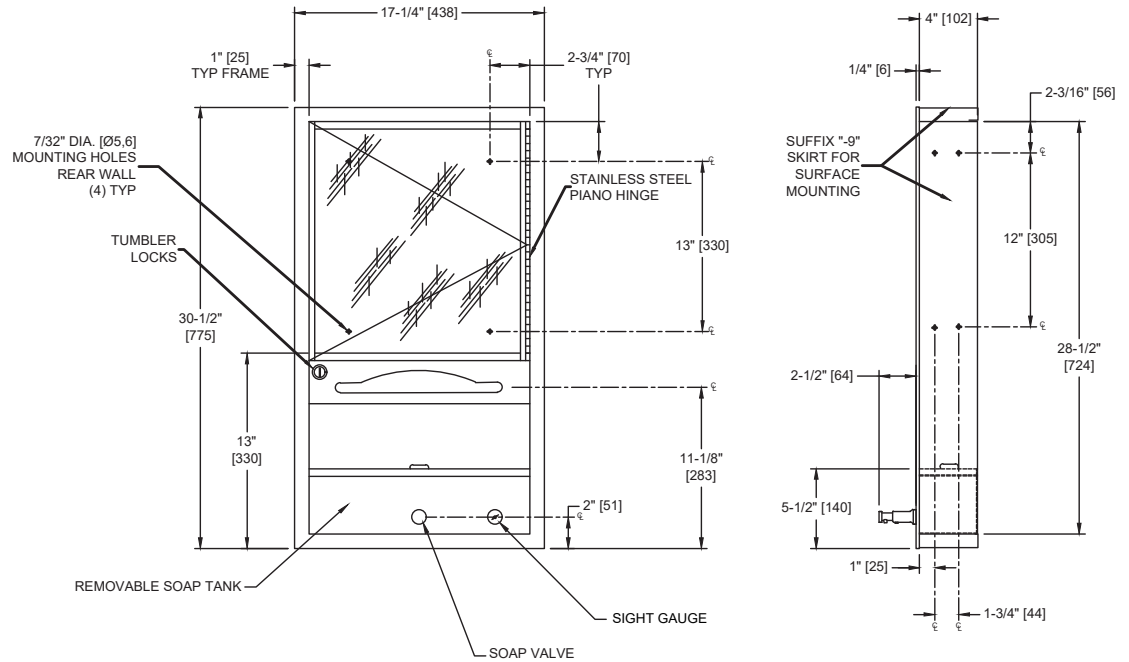


All Purpose Cabinet – Shelves, Mirror, Towel & Soap Dispenser – Surface Mounted

Soap Dispensers

Traditional

MasterFormat Section 10 28 13



Scan for Information



SUSTAINABILITY/LEED

MR 4.1 (1) MR 6 (1) EQ 4.2 (1)
MR 4.2 (1) EQ 4.1 (1) EQ 4.4 (1)

NOTE:
ALL DIM'S INCH [MM]
ILLUSTRATION FOR REF ONLY AND NTS
SEE SOAP DISPENSER CARE & MAINTENANCE
DOCUMENT ONLINE FOR CLEANING

PRODUCT OVERVIEW

Combines shelf, mirror, towel dispenser and 101 fluid ounce (3 L) soap dispenser. Unit dispenses 600 C-fold or 800 multi-fold paper towels. 15-year mirror silver spoilage guaranty. Surface mounted with -9 stainless steel collar. Soap Requirements: Proper usage of this dispenser requires, that only soap within the following range for viscosity and pH may be used. Viscosity Range (mPa•s or cP): 100 – 2500 pH Range: 5.5 ~ 8.0. Soaps containing reportable salts, chlorides and alcohols should be avoided. A complete Dispensing Chart and other relevant technical documents are available for all dispensers.

KEY FEATURES & SPECIFICATIONS

- Mirrored Cabinet with Combination Soap and Paper dispenser, and Open Shelf
- Towel slot has a fully hemmed edge for snag-free dispensing and user safety
- Type 304 Stainless Steel - Satin Finish
- Surface Mounted - w/ -9 Collar
- Dispenses liquid and lotion soaps, synthetic detergents and antibacterial soaps
- 600 C-Fold OR 800 Multi-Fold

OPERATION & MAINTENANCE

Soap is manually dispensed by pushing valve button until supply is depleted. Towels are self-feeding until supply is depleted. Unit may be reloaded easily by opening door or tank assembly with a partial load in-place and will continue to feed properly. Tank supply is replenished manually on cycle determined by maintenance needs.

TECHNICAL INFORMATION / PRODUCT PROPERTIES

Property	Value
Dimensions	17-1/4" x 30-1/2" x 6-1/2" [430 x 775 x 165], Spout Projection: 2-1/2" [64]
Construction	Type 304 Stainless Steel - Satin Finish
Mounting	Surface Mounted - w/ -9 Collar
Options	N/A

INSTALLATION

Unit is surface mounted on wall using four (4) #10 self-threading screws (by others) through concealed mounting holes provided. For compliance with 2010 ADA Accessibility Standards, unit should be installed so that bottom edge of reflecting surface is 40" [1016] maximum Above Finished Floor. Suggested mounting height for normal usage is bottom of cabinet trim 8" to 10" [203 to 254] above vanity surface. SM collar is installed on cabinet prior to mounting on wall following procedure described on SM Collar Data Sheet.

WARRANTY

One (1) Year from date of Invoice