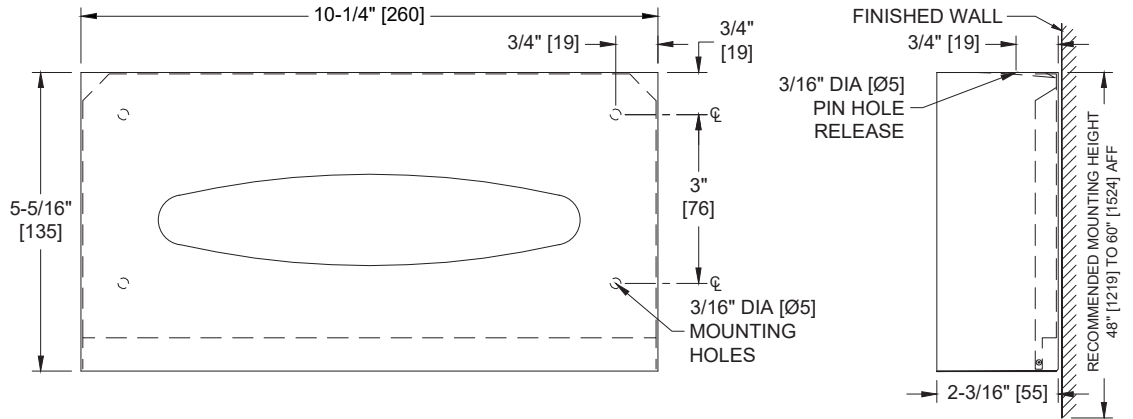
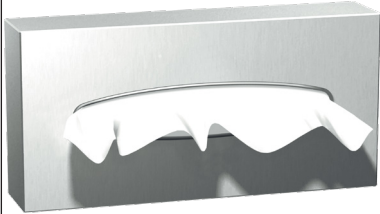


Facial Tissue Dispenser, Satin Finish – Surface Mounted

Specialty Accessories

MasterFormat Section 10 28 13



Scan for Information



SUSTAINABILITY/LEED

MR 4.1 (1) MR 6 (1) EQ 4.2 (1)
MR 4.2 (1) EQ 4.1 (1) EQ 4.4 (1)

NOTE:
ALL DIM'S INCH [MM]
ILLUSTRATION FOR REF ONLY AND NTS

PRODUCT OVERVIEW

Cabinet type 304 stainless steel, satin finish. Dispenses 300 single-ply or 150 two-ply sheets. Cover shall be 22 gauge alloy 18-8 type 304 stainless steel and shall be permanently attached to back with two (2) stainless steel rivet pins and shall be retained by concealed latch releasable by use of special pin key (provided). Towel dispensing slot shall have a fully hemmed-in rolled edge for snag-free dispensing and user safety. Back cover/mounting plate shall be fabricated of 22 gauge corrosion protected steel. All exposed surfaces shall be satin finish and be protected during shipment with PVC film easily removable after installation.

KEY FEATURES & SPECIFICATIONS

- Cabinet Type unit
- Smooth Dispensing slot
- Type 304 Stainless Steel - Satin Finish
- Surface Mounted
- Pin key provided to release latch or service
- 300 single-ply or 150 double-ply Tissue Capacity

OPERATION & MAINTENANCE

Towels are self-feeding from loaded supply box until supply is depleted. Unit is reloaded with opened full box and first sheet is fed through to slot to start. Maintenance needs determine service cycle. Special pin key is provided to release latch for refill service.

TECHNICAL INFORMATION / PRODUCT PROPERTIES

Property	Value
Dimensions	10-1/4" [260] W x 5-5/16" [135] H x 2-3/16" [55] D
Construction	Type 304 Stainless Steel - Satin Finish
Mounting	Surface Mounted
Capacity	300 single-ply or 150 double-ply Tissue Capacity

INSTALLATION

Mounting plate is surface mounted on wall or partition using #10 self-threading screws (by others). Hinged front cover snaps onto the concealed latch integral with the back mounting plate. For compliance with 2010 ADA Accessibility Standards, install unit so that towel dispenser slot is 48" [1219] maximum Above Finished Floor (AFF) if clear floor reach access is provided or 46" [1168] maximum AFF if side reach over an obstruction only is provided (i.e.vanity).

ADDITIONAL INFORMATION

N/A

WARRANTY

One (1) Year from date of Invoice