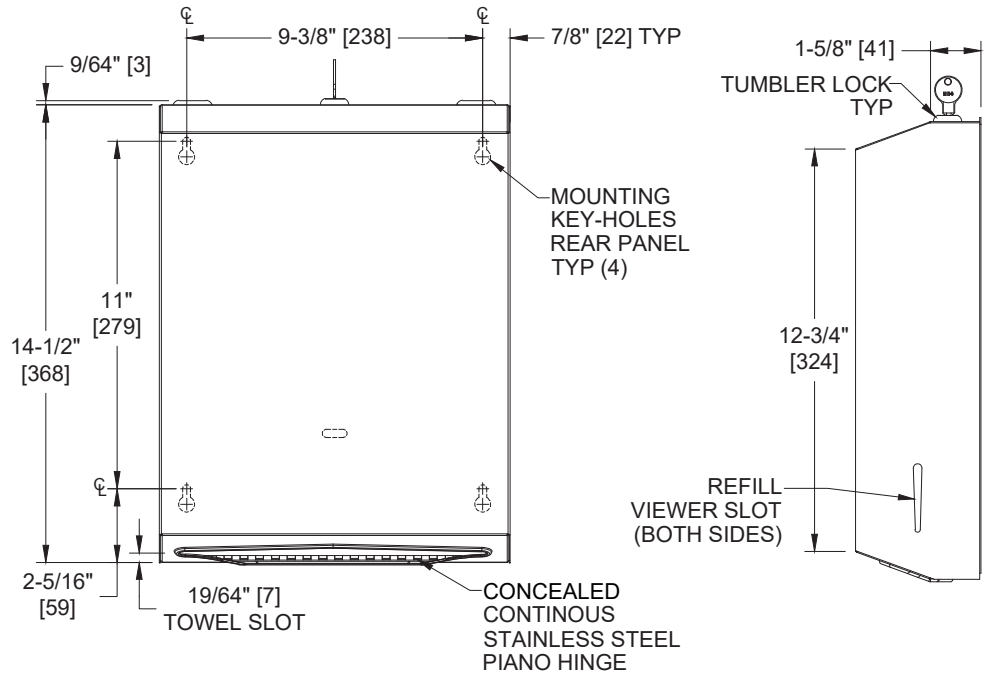


Paper Towel Dispenser (Multi - C-Fold) – Surface Mounted - Stainless Steel

Paper Towel Dispensers

Traditional

MasterFormat Section 10 28 13



Scan for Information



SUSTAINABILITY/LEED

MR 4.1 (1) MR 6 (1) EQ 4.2 (1)
MR 4.2 (1) EQ 4.1 (1) EQ 4.4 (1)

NOTE:
ALL DIM'S INCH [MM]
ILLUSTRATION FOR REF ONLY AND NTS
FOR CLEANING INSTRUCTIONS SEE APPROPRIATE SECTIONS IN
PRODUCT CARE & MAINTENANCE BULLETIN (PCM) ON ASI WEBSITE

PRODUCT OVERVIEW

Fabricated of 22 gauge stainless steel with satin finish, this unit dispenses 400 C-fold or 525 multi-fold paper towels without adjustment or adapters and is fitted with tumbler lock and heavy-duty stainless steel piano hinge.

KEY FEATURES & SPECIFICATIONS

- Works well in any setting
- Heavy duty stainless steel piano hinge
- Type 304 Stainless Steel - Satin Finish
- Surface Mounted
- Pull Type
- 400 C-Fold or 525 Multi-Fold

OPERATION & MAINTENANCE

Towels are self-feeding as withdrawn by hand until supply is depleted. Unit may be reloaded with a partial load in-place and will continue to feed properly. Low level of towel supply is indicated from 25% capacity to empty. Locking door prevents unauthorized access or removal.

TECHNICAL INFORMATION / PRODUCT PROPERTIES

| Property | Value |
|--------------|---|
| Dimensions | 11-1/8" [282] W x 14-5/8" [368] H x 3-63/64" [101] D |
| Construction | Type 304 Stainless Steel - Satin Finish Heavy duty stainless steel piano hinge |
| Power | N/A |
| Operation | Pull Type |
| Mounting | Surface Mounted |
| Capacity | 400 C-Fold OR 525 Multi-Fold |

INSTALLATION

Surface mount unit on wall or partition using five #10 self-threading screws (by others) through concealed mounting holes provided. Four mounting holes through back are keyhole slots for ease in hanging unit on pre-installed screws. Center top mounting hole is horizontal slot for ease of adjustment and vandal resistant locking. For compliance with 2010 ADA Accessibility Standards install unit so that centerline of towel dispenser slot is 48" [1219] maximum above finished floor (AFF).

WARRANTY

One (1) Year from date of Invoice