

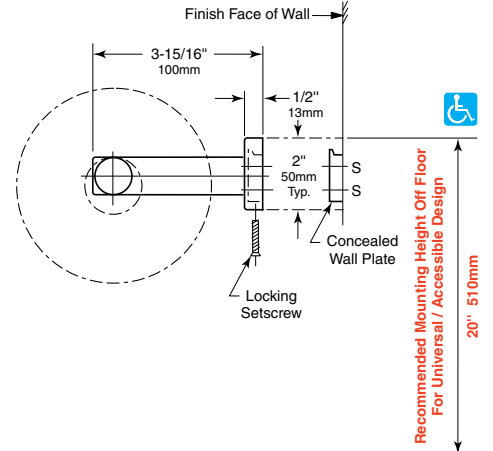
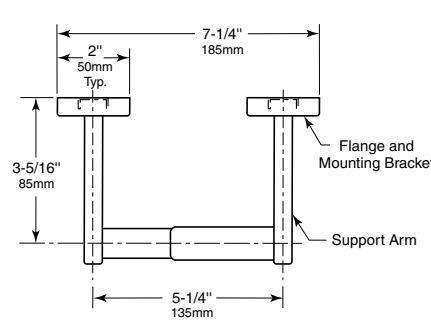


# Technical Data

# SINGLE-ROLL TOILET TISSUE DISPENSER

# B-685 B-6857

Specify Finish Required:  Model B-685 Bright polished finish  
 Model B-6857 Satin finish



### MATERIAL:

**Flanges and Support Arms (2)** — 18-8, type-304, 22-gauge (0.8mm) stainless steel. Concealed, 16-gauge (1.6mm) stainless steel mounting bracket is welded inside each flange. Secured to wall plates with stainless steel setscrews.

**Concealed Wall Plates (2)** — 18-8, type-304, 16-gauge (1.6mm) stainless steel.

**Spindle** — Chrome-plated plastic. Equipped with heavy-duty internal spring.

*Designer's Note:* Theft-resistant spindle, which is removable only with special key provided, is available as an optional accessory. To specify, add suffix .60 to model number. Example B-685.60.

### INSTALLATION:

To remove concealed wall plates from back of flanges and mounting brackets, loosen setscrews. Mount each wall plate with prongs at top; secure with sheet-metal screws, furnished by manufacturer, at points indicated by an S. Engage mounting brackets onto prongs of wall plate, then secure into position by tightening setscrews at bottom of flanges.

**Note:** Center-to-center of concealed wall plates must be within 1/16" (1.6mm) of dimension shown.

For partitions with particle-board or other solid core, secure with sheet-metal screws furnished, or provide through-bolts, nuts, and washers.

For hollow-core metal partitions, provide solid backing into which the furnished sheet-metal screws can be secured.

For plaster or dry wall construction, provide concealed backing to comply with local building codes, then secure unit with sheet-metal screws furnished.

For other wall surfaces, provide fiber plugs or expansion shields for use with sheet-metal screws furnished, or provide 1/8" (3mm) toggle bolts or expansion bolts.

### SPECIFICATION:

Single-roll toilet tissue dispenser shall be type-304 stainless steel with \_\_\_\_\_ (insert one: bright polished or satin) finish. Unit shall accommodate one standard-core toilet paper roll up to 5-1/2" (140mm) diameter (1800 sheets). Flanges and support arms shall be 22-gauge (0.8mm) and equipped with concealed, 16-gauge (1.6mm) mounting brackets that are secured to concealed, 16-gauge (1.6mm) wall plates with stainless steel setscrews. \*Spindle shall be chrome-plated plastic with a heavy-duty internal spring.

*\*To specify theft-resistant spindle as an optional accessory, add to specification:* Theft-resistant spindle shall be removable only with special key provided.

**Single-Roll Toilet Tissue Dispenser shall be Model \_\_\_\_\_ (insert model number) of Bobrick Washroom Equipment, Inc., Clifton Park, New York; Jackson, Tennessee; Los Angeles, California; Bobrick Washroom Equipment Company, Scarborough, Ontario; Bobrick Washroom Equipment Pty. Ltd., Australia; Bobrick Washroom Equipment Limited, United Kingdom.**