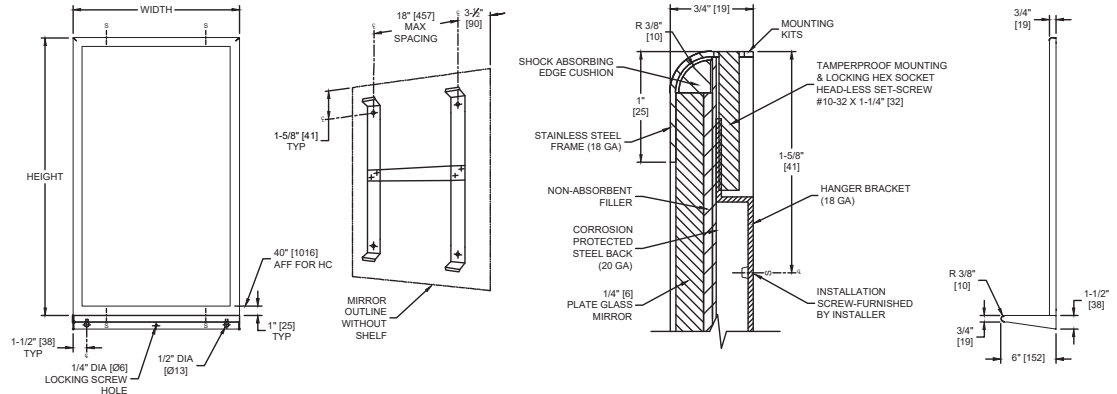


**ROVAL™ Inter-Lok Stainless Steel Framed Mirrors – Plate Glass – With Shelf - Variable Sizes**

Mirrors

Roval

MasterFormat Section 10 28 13



Scan for Information



**SUSTAINABILITY/LEED**

MR 4.1 (1) MR 6 (1) EQ 4.2 (1)  
MR 4.2 (1) EQ 4.1 (1) EQ 4.4 (1)

**NOTE:**  
ALL DIM'S INCH [MM]  
ILLUSTRATION FOR REF ONLY AND NTS  
FOR CLEANING INSTRUCTIONS SEE APPROPRIATE SECTIONS IN  
PRODUCT CARE & MAINTENANCE BULLETIN (PCM) ON ASI WEBSITE

**PRODUCT OVERVIEW**

The gently radiused edges provide added strength and complement the curves of the ASI Roval™ Collection. Mirror frame and 6" [152] wide curved edge shelf are fabricated of 18 gauge type 304, alloy 18-8 stainless steel with satin finish. Mirror frame has polished seamless mitered corners. 0.25" [6.4] thick plate glass mirror. See Price List for all sizes available. Variable sizes available.

**KEY FEATURES & SPECIFICATIONS**

- Frame face has an Elegant Radiused Edge Frame to provide added strength
- Seamless mitered corners are welded and polished to a smooth finish
- Frame made of Type 304, alloy 18-8 stainless steel - Satin Finish
- Plate Glass Mirror
- Surface Mounted
- Compliments any modern washroom aesthetics
- Various Sizes

**TECHNICAL INFORMATION / PRODUCT PROPERTIES**

Property	Value
Dimensions	Various Sizes Available
Construction	Type 304, alloy 18-8 stainless steel - Satin Finish Tempered Glass Mirror
Mounting	Surface Mounted
Materials	<p>Frame: 18-8, type 304, 18 gauge (.048" [1.2] thick) stainless steel. Unitized all welded construction. Corners mitered, welded and polished. Exposed surfaces have satin finish. Edges and corners are burr free.</p> <p>Glass: Standard glazing is #1 quality, 1/4" [6.4] thick plate/float, silver coated and hermetically sealed with a uniform coating of electrolytic copper plating, warranted against silver spoilage for 15 years. Mirrors meet Federal Spec. DD-M-411C, ASTM C-1503, and ASTM C-1036-91.</p> <p>Filler: Expanded polyethylene microcell foam sheet material, abrasion resistant and shock absorbing, water resistant, 1/8" [3.2] total layer thickness.</p>

**INSTALLATION**

Install bracket level and plumb as per diagram location using #10 x 1" [M5x25] self-threading pan head screws (by others). Hang mirror on bracket and tighten locking screws at top & bottom. For compliance with 2010 ADA Accessibility Standards bottom edge of reflecting surface should be no higher than 40" [1016] Above Finished Floor.

**SIZE OPTIONS**

Plate Glass	20655-1830 – 18" [457] wide x 30" [762] high 20655-2436 – 24" [610] wide x 36" [914] high	20655-1836 – 18" [457] wide x 36" [914] high
-------------	--	--

**GLAZING OPTIONS**

(A) Plate Glass - 1/4" [6.4] #1 quality polished, silver coated and hermetically sealed with an electrolytic copper plating. Mirrors meet Federal Spec. No. DD-M-411C, ASTM C-1503 and ASTM-C-1036-91. Image quality: Excellent

(B) Tempered Glass - 1/4" [6.4] thick polished tempered glass with two coats of silver. Hermetically sealed with an electrolytic copper plating. Back of mirror is finished and protected with a heavy waterproof paint. Glazing meets Federal Specification No. DD-G1403B, Amendment 1, ASTM C-1503 and ASTM-C-1048-92. Image quality: Good

(C) Metal Mirrors - Type 304 alloy 18-8 stainless steel, 20 gauge polished to a #8 mirror finish. Image quality: Good

(D) Lexan Dura-Mirror - 1/4" [6.4] impact resistant polycarbonate sheet. Mirror face is provided with removable masking to prevent scratching during installation. Image quality: Very Good

(E) Plexiglas® - 1/4" [6.4] thick acrylic plastic, lightweight and highly shock resistant. Image quality: Very Good

(L) Mirror is fabricated with a 1/32" [0.8] thick vinyl interlayer bonded between two 1/8" [3] sheets of #1 quality polished plate glass with back silver. Hermetically sealed with a uniform coating of electrolytic copper plating. Back of mirror is finished and protected with a heavy-duty waterproof paint. Laminated glass meets the performance criteria of Federal Spec. No. DD-M-451 and ANSI Z87.1 and complies with CPSC standards 16 CR 1201 (1) 11. Image quality: Excellent

**WARRANTY**

Warranted against silver spoilage for 15 years from date of Invoice