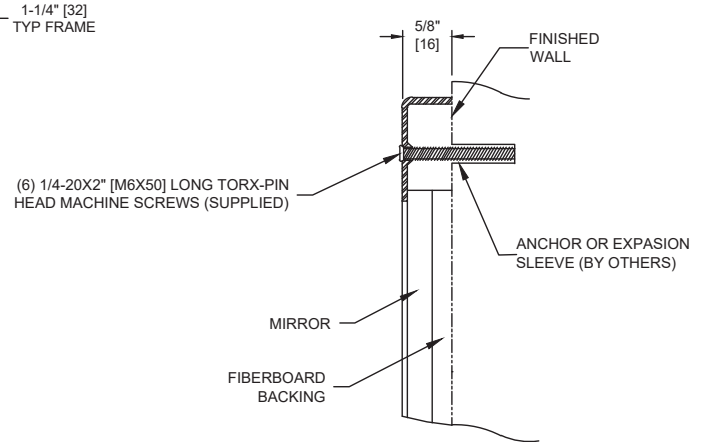
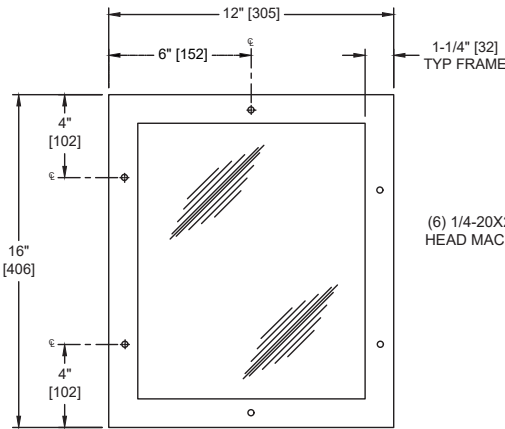


Framed Mirror – 20 Ga. #8 Mirror Polished Stainless Steel, Front Mount, 12" x 16"

Security Accessories

MasterFormat Section 10 28 13



Scan for Information



SUSTAINABILITY/LEED

MR 4.1 (1) MR 6 (1) EQ 4.2 (1)
MR 4.2 (1) EQ 4.1 (1) EQ 4.4 (1)

NOTE:
ALL DIM'S INCH [MM]
ILLUSTRATION FOR REF ONLY AND NTS
FOR CLEANING INSTRUCTIONS SEE APPROPRIATE SECTIONS IN
PRODUCT CARE & MAINTENANCE BULLETIN (PCM) ON ASI WEBSITE

PRODUCT OVERVIEW

Frame 14 gauge type 304, alloy 18-8 stainless steel with satin finish, corners welded and ground smooth. Front mounting furnished with Torx® vandal-resistant 1/4-20 x 2" [150] machine screws.

KEY FEATURES & SPECIFICATIONS

- 20 gauge Mirror with a #8 Polish
- Type 304, alloy 18-8 stainless steel
- Front Mount

TECHNICAL INFORMATION / PRODUCT PROPERTIES

Property	Value
Dimensions	12" [305] W x 16" [406] H x 5/8" [16] D
Construction	Type 304, alloy 18-8 stainless steel
Mounting	Front Mount
Materials	<u>Frame:</u> 18-8, type 304, 14 gauge stainless steel. Unitized all welded construction. Corners mitered, welded and polished. Exposed surfaces have satin finish. Edges and corners are burr free.

INSTALLATION

Unit is surface mounted to wall or partition using six (6) 1/4-20x2" [M6x50] long pin-Torx head machine screws (supplied) into suitable anchors (by others) or alternate wall preparation (by others). Suggested mounting height for general service is 74" [1880] maximum Above Finished Floor (AFF) to top of frame. Bottom edge of reflecting surface should be no higher than 40" [1016] max AFF for compliance with 2010 ADA Accessibility Standards.

SIZE OPTIONS

Options	105-13: 1/4" [6] Thick Tempered Glass - Polished Mirror 105-17: 1/4" [6] Thick Plexiglass - Polished Mirror	105-14 - 20 ga type 304, alloy 18-8 stainless steel w/ #8 Mirror Polish
---------	----------------------------------------------------------------------------------------------------------------	-------------------------------------------------------------------------

GLAZING OPTIONS

(-14) Metal Mirrors - Type 304 alloy 18-8 stainless steel, 20 gauge polished to a #8 mirror finish. Image quality: Good

WARRANTY

One (1) Year from date of Invoice