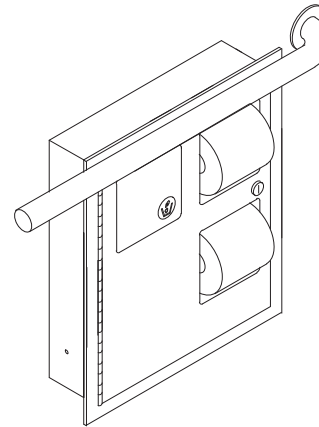
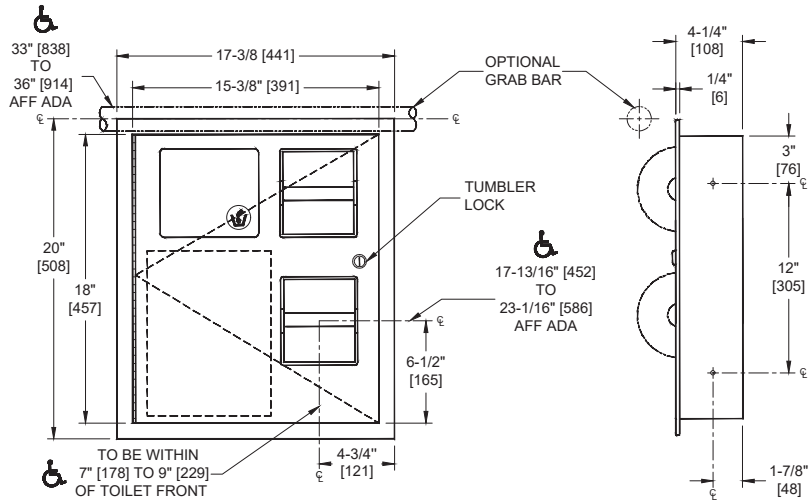


**Multi-Roll (4) Toilet Tissue Dispenser – Recessed**

Toilet Tissue Dispensers

MasterFormat Section 10 28 13



**NOTE:**  
ALL DIM'S INCH [MM]  
ILLUSTRATION FOR REF ONLY AND NTS

Scan for Information



**SUSTAINABILITY/LEED**

MR 4.1 (1) MR 6 (1) EQ 4.2 (1)  
MR 4.2 (1) EQ 4.1 (1) EQ 4.4 (1)

**PRODUCT OVERVIEW**

Holds and dispenses four (4) rolls standard or 1800 sheet 4-1/2" [114] x 5-1/4" diameter [Ø133] toilet paper. Cabinet door held closed with a tumbler lock. Toilet paper rolls feed freely until depleted and level of supply is constantly visible for low-level warning. Toilet paper rolls are serviced by unlocking and opening door. Locked door prevents inadvertent and unauthorized removal. Toilet paper spindles are carried in vandal resistant sub-frame accessible when door is opened. Cabinet receives theft and vandal resistant rollers for core-less toilet paper (by others).

**KEY FEATURES & SPECIFICATIONS**

- Multi Roll Dispenser
- Holds and dispenses four (4) standard rolls
- 22 gauge Type 304 Stainless Steel - Satin Finish
- Recessed

**OPERATION & MAINTENANCE**

Toilet paper rolls feed freely until depleted and level of supply is constantly visible for low-level warning. Toilet paper rolls are serviced by unlocking and opening door. Locked door prevents inadvertent and unauthorized removal. Toilet paper spindles are carried in vandal resistant sub-frame accessible when door is opened.

**TECHNICAL INFORMATION / PRODUCT PROPERTIES**

Property	Value
Dimensions	17-3/8" [441] W x 20" [508] H x 4-1/4" [108] D
Construction	Type 304 Stainless Steel - Satin Finish
Mounting	Recessed
Capacity	Holds four (4) rolls standard or 1800 sheet 4-1/2" x 5-1/4" Dia. [Ø114 x 133]

**INSTALLATION**

Mount unit in wall recess using four (4) #10 self-threading screws (by others) through concealed mounting holes provided. Note that top of RWO (rough wall opening) is 13/16" [21] below top of unit. For 2010 ADA Accessibility Standards compliance the centerline of either bottom TP Dispenser should be located within 7" [178] to 9" [227] of the front of the toilet and the TP Dispenser opening bottom should be above 15" [381] minimum AFF. An optional GB (not provided) at 33" [838] to 36" [914] AFF to the top of the bar must allow the service door top to clear the bottom of the bar approximately 1/4" [6] when opening the door.

Rough Wall Opening (RWO) required is 15-3/4" [400] W x 18-3/8" [467] H x 4" [102] D minimum

**OPTIONS**
**WARRANTY**

One (1) Year from date of Invoice