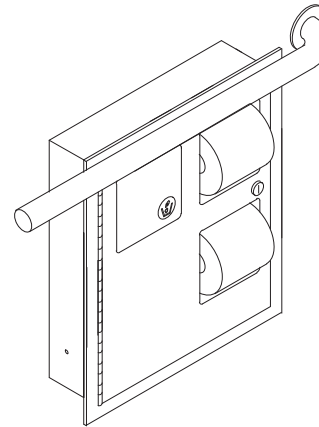
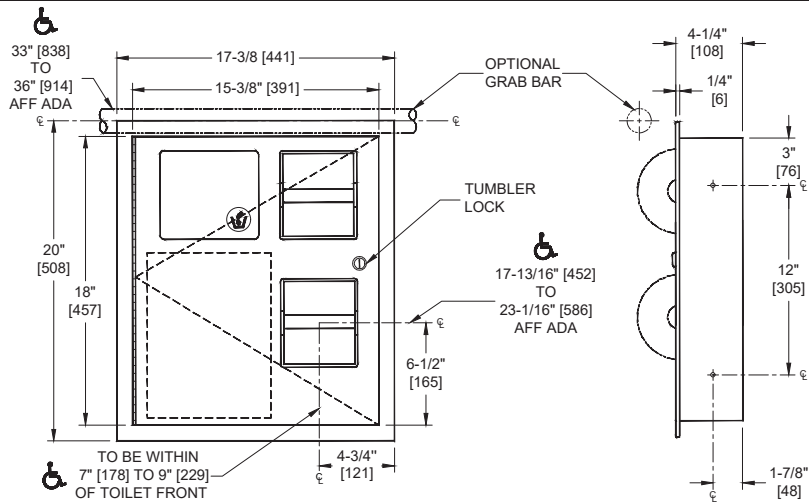


**Toilet Tissue Dispenser / Napkin Disposal – Recessed**

Toilet Tissue Dispensers

MasterFormat Section 10 28 13



**NOTE:**  
ALL DIM'S INCH [MM]  
ILLUSTRATION FOR REF ONLY AND NTS

Scan for Information



**SUSTAINABILITY/LEED**

MR 4.1 (1) MR 6 (1) EQ 4.2 (1)  
MR 4.2 (1) EQ 4.1 (1) EQ 4.4 (1)

**PRODUCT OVERVIEW**

Similar to 04813 for end stall installation. Holds two (2) rolls standard or 1800 sheet 4-1/2" [114] x 5-1/4" diameter [Ø133] toilet paper. Removable waste container has a capacity of 1.3 gal (4.9 liters) or 300 in<sup>3</sup> (.005 m<sup>3</sup>). Cabinet door is held closed with tumbler lock. Cabinet also includes theft and vandal resistant rollers molded of high-impact resistant plastic with integral molded-in stainless steel endpins and two (2) rollers [p/n R-004] are supplied.

**KEY FEATURES & SPECIFICATIONS**

- Toilet Tissue Dispenser / Napkin Disposal
- Type 304 Stainless Steel - Satin Finish
- Recessed
- Cabinet & face frame shall have 22 gauge stainless steel

**OPERATION & MAINTENANCE**

Push self-closing disposal door to deposit waste material. Toilet paper rolls feed freely until depleted and level of supply is constantly visible for low-level warning. Waste receptacle is emptied manually on cycle determined by maintenance needs. Toilet paper rolls and waste receptacle are serviced by unlocking and opening door. Locked door prevents inadvertent dumping and unauthorized removal. Waste container safety-edged finger hole provides convenient grip for service. Toilet paper spindles are carried in vandal resistant sub-frame accessible when door is opened.

**TECHNICAL INFORMATION / PRODUCT PROPERTIES**

Property	Value
Dimensions	17-3/8" [441] W x 20" [508] H x 4-1/4" [108] D
Construction	Type 304 Stainless Steel - Satin Finish
Mounting	Recessed
Capacity	Holds two (2) rolls standard or 1800 sheet 4-1/2" [114] x 5-1/4" Dia. [Ø133] toilet paper. Waste container has a 1.3 gal (4.9 liter) capacity.

**INSTALLATION**

Mount unit in wall recess using four (4) #10 self-threading screws (by others) through concealed mounting holes provided. Note that top of RWO (rough wall opening) is 13/16" [21] below top of unit. For 2010 ADA Accessibility Standards the centerline of the TP Dispenser should be located within 7" [178] to 9" [227] of the front of the toilet and the TP Dispenser opening bottom should be above 15" [381] minimum AFF. An optional GB (not provided) at 33"[838]to 36" [914] AFF to the top of the bar should allow the service door top to clear the bottom of the bar when opening the door.

Rough Wall Opening (RWO) required: 15-3/4" [400] W x 18-3/8" [467] H x 4" [102] D minimum

**OPTIONS**
**WARRANTY**

One (1) Year from date of Invoice