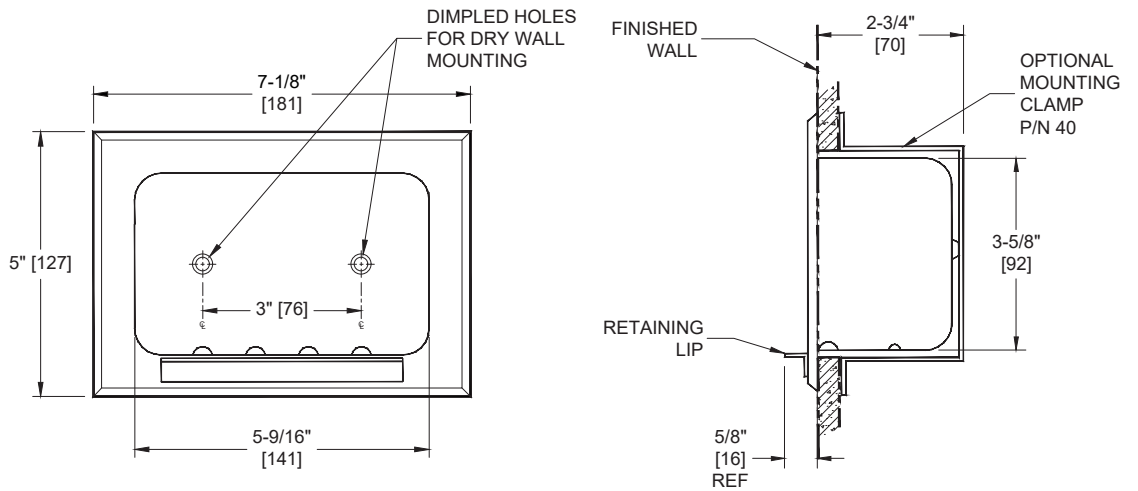


Soap Dish – Recessed – Dry Wall – Stainless Steel

Specialty Accessories

MasterFormat Section 10 28 13



Scan for Information



SUSTAINABILITY/LEED

MR 4.1 (1) MR 6 (1) EQ 4.2 (1)
MR 4.2 (1) EQ 4.1 (1) EQ 4.4 (1)

NOTE:
ALL DIM'S INCH [MM]
ILLUSTRATION FOR REF ONLY AND NTS

PRODUCT OVERVIEW

Type 304 stainless steel unit with bright polished finish. Similar to 0398, without bar.

KEY FEATURES & SPECIFICATIONS

- Designed for Dry Wall installation
- Type 304 Stainless Steel- Polished Bright Finish
- Recessed - Dry Wall

OPERATION & MAINTENANCE

Raised dimples on the soap shelf allow water to drain away and provide gripping surface to retain soap.

TECHNICAL INFORMATION / PRODUCT PROPERTIES

Property	Value
Dimensions	7-1/8" x 5" x 3-3/8" [181 x 127 x 86]
Construction	Type 304 Stainless Steel - Satin Finish
Mounting	Recessed - Dry Wall
Capacity	N/A

INSTALLATION

For Standard Recessed Mounting: Use two (2) #8 stainless steel Philips flat or oval head self-threading or wood screws (by others) of suitable length to penetrate blocking in back of Rough Wall Opening (RWO) by approximately 1/2" [13]. Apply a continuous bead of silicone sealant (by others) behind flange and into screw holes. Tighten screws to hold flange tight against finished wall face. Wipe off excess sealant immediately.

Optional Method for Recessed Mounting: Order separate item Model # 40 dry wall clamp. Apply a continuous bead of silicone sealant (by others) behind flange and into screw holes. Loosely attach clamp to the back of the unit with two (2) stainless steel Philips flat or oval head #8-32-UNC-2A machine screws (provided by others to suit wall conditions). Insert into RWO and adjust clamp so that it grips inside wall surface through opening. Secure accessory to clamp and wall by tightening screws. Wipe off excess sealant immediately. - Rough Wall Opening (RWO) required is 6-1/8" W x 4-1/8" H x 4" D [156 x 105 x 102]

ADDITIONAL INFORMATION**WARRANTY**

One (1) Year from date of Invoice