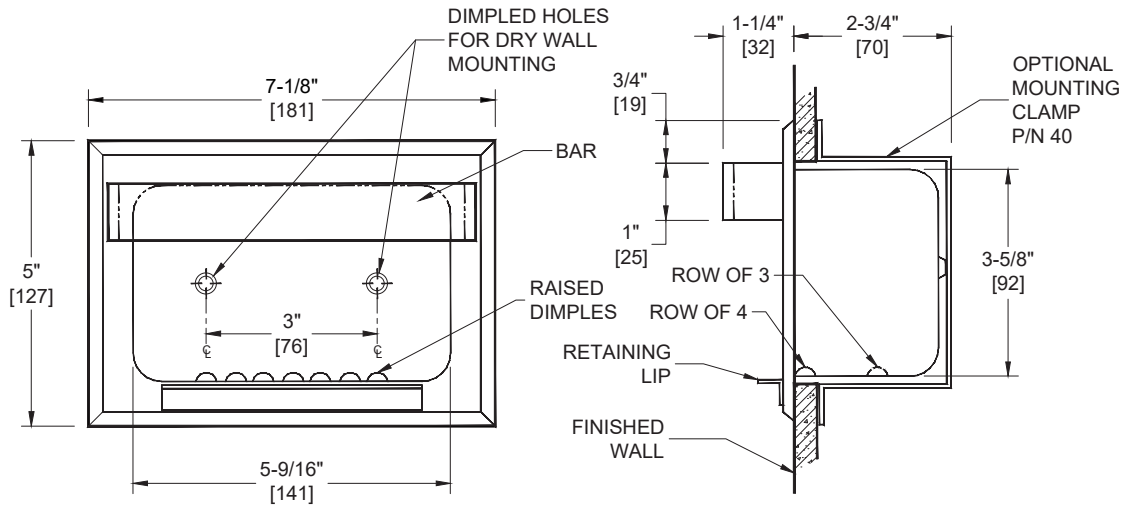


**Soap Dish with Bar – Recessed – Dry Wall – Stainless Steel**

Specialty Accessories

MasterFormat Section 10 28 13



Scan for Information



**SUSTAINABILITY/LEED**

MR 4.1 (1) MR 6 (1) EQ 4.2 (1)  
MR 4.2 (1) EQ 4.1 (1) EQ 4.4 (1)

**NOTE:**  
ALL DIM'S INCH [MM]  
ILLUSTRATION FOR REF ONLY AND NTS

**PRODUCT OVERVIEW**

Type 304 stainless steel unit with bright polished finish.

**KEY FEATURES & SPECIFICATIONS**

- Designed for Dry Wall installation
- Type 304 Stainless Steel- Polished Bright Finish
- Recessed - Dry Wall

**OPERATION & MAINTENANCE**

Raised dimples on the soap shelf allow water to drain away and provide gripping surface to retain soap.

**TECHNICAL INFORMATION / PRODUCT PROPERTIES**

Property	Value
Dimensions	7-1/8" x 5" x 4" [181 x 127 x 102]
Construction	Type 304 Stainless Steel - Satin Finish
Mounting	Recessed - Dry Wall
Capacity	N/A

**INSTALLATION**

For Standard Recessed Mounting: Use two (2) #8 stainless steel Philips flat or oval head self-threading or wood screws (by others) of suitable length to penetrate blocking in back of Rough Wall Opening (RWO) by approximately 1/2" [13]. Apply a continuous bead of silicone sealant (by others) behind flange and into screw holes. Tighten screws to hold flange tight against finished wall face. Wipe off excess sealant immediately.

Optional Method for Recessed Mounting: Order separate item Model # 40 dry wall clamp. Apply a continuous bead of silicone sealant (by others) behind flange and into screw holes. Loosely attach clamp to the back of the unit with two (2) stainless steel Philips flat or oval head #8-32-UNC-2A machine screws (provided by others to suit wall conditions). Insert into RWO and adjust clamp so that it grips inside wall surface through opening. Secure accessory to clamp and wall by tightening screws. Wipe off excess sealant immediately. - RWO required is 6-1/8" W x 4-1/8" H x 4" D [156 x 105 x 102]

**ADDITIONAL INFORMATION**
**WARRANTY**

One (1) Year from date of Invoice