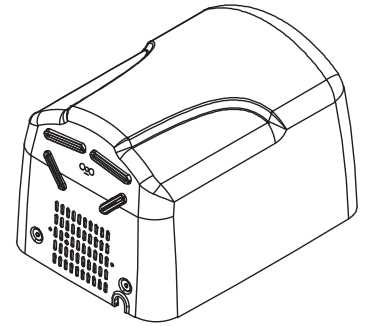
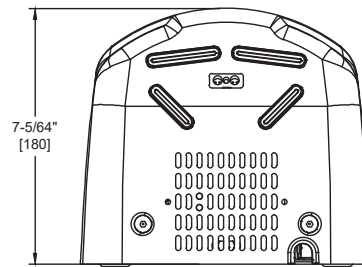
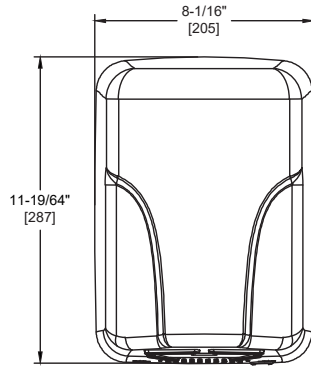


**TURBO-Dri™ High-Speed Hand Dryer (110-120V) – 93 Satin Stainless Steel**

Hand Dryers

MasterFormat Section 10 28 13



Scan for Information



**SUSTAINABILITY/LEED**

MR 4.2 (1) EQ 4.2 (1)  
MR 6 (1) EQ 4.4 (1) EA 1 (1-19)  
EQ 4.1 (1) EAp2 (0)

**NOTE:**  
ALL DIM'S INCH [MM]  
ILLUSTRATION FOR REF ONLY AND NTS  
FOR CLEANING INSTRUCTIONS SEE APPROPRIATE SECTIONS IN  
PRODUCT CARE & MAINTENANCE BULLETIN (PCM) ON ASI WEBSITE

**PRODUCT OVERVIEW**

Fast drying, less than 12 seconds, and powerful, yet quiet, with 60-second auto shut off; automatic operation using infrared sensor with auto-resetting thermostat. Heavy-duty, one-piece-formed unit. Satin Stainless Steel finish.

**KEY FEATURES & SPECIFICATIONS**

- Powerful High Speed / <15 Sec. Dry Time
- 65 dB-A (Min) / 78 dB-A (Max)
- Type 304 Stainless Steel - Satin Finish
- Surface Mounted - "Touch Free" Operation
- Automatic - AC - 110 - 120 V - "No-Touch" High Speed Dryer
- Owner Adjustable Air Speed AND Heat (with On-Off switch)
- Approved Under the re-examination services of Underwriters Laboratories, Inc.

**OPERATION & MAINTENANCE**

Automatic "No-Touch"  
 Activate dryer by placing hands under sensor. LED in sensor array shines blue light during operation to guide user to optimal hand placement for shorter drying time. Dryer automatically shuts off after user removes hands from sensor zone.

**TECHNICAL INFORMATION / PRODUCT PROPERTIES**

Property	Value							
Dimensions	8-1/16" x 11-19/64" x 7-5/64" [205 x 287 x 180]							
Construction	Type 304 Stainless Steel - Satin Finish							
Mounting	Surface Mounted - "Touch Free" Operation							
Electrical	110-120V AC							
Motor	HP	RPM (x1000)	Fan Type	Airflow	Heating Element	Air Output Temperature	Timing	Drying Time
Brush Type Dual Ball Bearings	1	7-18 (Adj.)	Multi-Inlet Centrifugal	63.6 CFM (108 m3/h)	Nichrome wire with auto reset circuit breaker	140 °F ± 5 @ 77 °F (60 °C ± 2.4 @ 25 °C) Ambient room temperature	Automatic 60 second Shut-Off	Less Than 15 Seconds

**INSTALLATION**

Surface mount unit on wall with four (4) 1/4" [6] washers and screws or bolts (not supplied) through holes (provided) in a corrosion protected steel back plate into suitable prepared mountings (by others) or other suitable mounting hardware (by others) to suit wall conditions. Electrical service is supplied and connected (by others) prior to installing cover. Cover is secured to back plate with recessed, pin-hex socket head cap screws (supplied). For compliance with ICC/ANSI A-117.1- 2003 and 2010 ADA Accessibility Standards for adults, install unit with bottom of sensor lens 48" [1219] maximum Above Finished Floor (AFF) if unobstructed reach access is provided or 44" [1118] max AFF if forward reach over an obstruction (e.g. vanity or commode) with reach depth greater than 20" [508] and less than 25" [635] is only provided. For general utility, install unit so that sensor lens is 44" [1118] to 54" [1372] AFF. See OM and Template MT & IG supplied with unit.

**OPTIONS**

Voltage  
 0197-1-93: 110-120 VAC - 50/60 Hz - 14.6 A (Max.) - 1300-1600W  
 0197-2-93: 208-240 VAC - 50/60 Hz - 7.3 A (Max.) - 1400-1700W

**WARRANTY**

Five (5) Years from date of Invoice