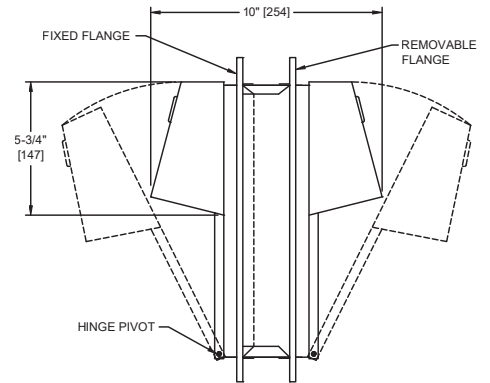
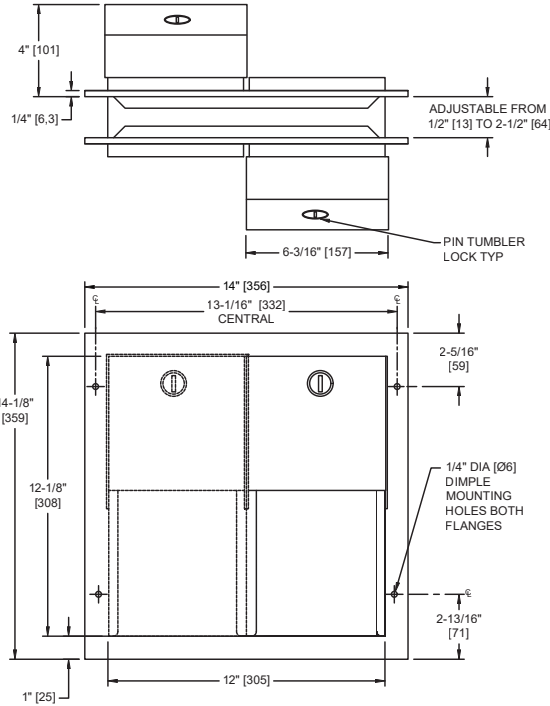


**Toilet Tissue Dispenser, Twin Hide-A-Roll – Partition Mounted**

Toilet Tissue Dispensers

MasterFormat Section 10 28 13



Scan for Information



**SUSTAINABILITY/LEED**

MR 4.1 (1) MR 6 (1) EQ 4.2 (1)  
MR 4.2 (1) EQ 4.1 (1) EQ 4.4 (1)

**NOTE:**  
ALL DIM'S INCH [MM]  
ILLUSTRATION FOR REF ONLY AND NTS

**PRODUCT OVERVIEW**

Serves two toilet compartments by mounting through partition. Dispenses 4 toilet tissue rolls. Adjustable to accommodate partitions from 1/2" [13] to 1-1/4" thick [32]. Doors, door frames, and dispensing mechanism guide tracks of 18 gauge [1,3] type 304 stainless steel alloy 18-8. Cabinet bodies and mounting flanges shall be 22 gauge [0,8] same grade.

**KEY FEATURES & SPECIFICATIONS**

- "Hide-A-Roll" Dispenser holds Two Rolls
- Type 304 Stainless Steel - Satin Finish
- Partition Mounted

### **OPERATION & MAINTENANCE**

Reloading instructions are printed on graphic labels inside doors. Bottom roll is depleted prior to top roll automatically dropping into lower position for use. Empty rollers cannot be removed without key unlocking door. Individual two-roll dispenser is accessible from each side of partition.

### **TECHNICAL INFORMATION / PRODUCT PROPERTIES**

<b>Property</b>	<b>Value</b>
Dimensions	14" [356] W x 14-1/8" [359] H x 10" [255] D
Construction	Type 304 Stainless Steel - Satin Finish
Mounting	Partition Mounted
Capacity	Holds four 5 1/4" Dia. [Ø133] rolls

### **INSTALLATION**

Partition mount unit through precut partition cutout (PCO) using four (4) #10 x 3/4" [M5 x 20] Philips flat-head or oval-head self-threading screws (supplied) per side {eight (8) total} through mounting holes provided through fixed mounting frame and adjustable mounting frame into suitably prepared partition (by others). Mounting holes are offset 1/2" [13] from opposite side frame holes for screw clearance. Mounting flanges adjust to accommodate partition thickness of 1/2" [13] min to 2-1/2" [64] max. For compliance with 2010 ADA Accessibility Standards and 2015 ABA Standards install unit with axis of bottom roller 15" [381] min AFF (Above Finished Floor) to 48"[1219] max AFF and centerline of dispenser shall be 7" [178] min to 9" [229] max in front of toilet.

Partition Cut Out (PCO) Required is 12-1/8" [308] W x 12-1/4" [13] H x 1/2" [13] to 2-1/2" [64] Thick

### **OPTIONS**

### **WARRANTY**

One (1) Year from date of Invoice