



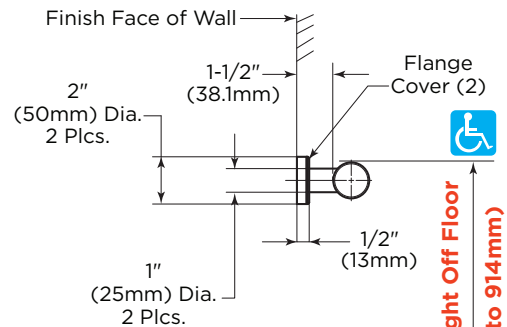
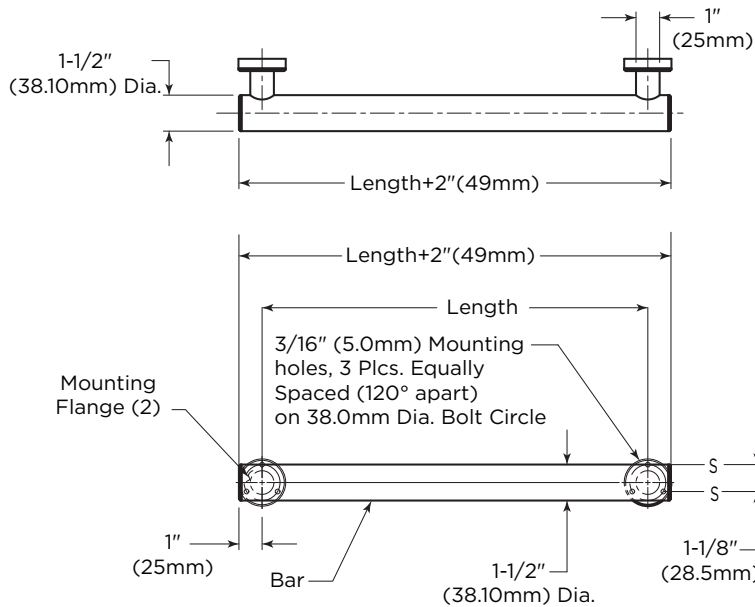
Technical Data

fino collection
**1½" (38mm) DIAMETER
STAINLESS STEEL GRAB BARS
WITH CONCEALED FLANGE**

**B-9806
SERIES**

Specify Finish Required

- Stainless Steel, Satin Finish
- Matte Black Finish, add suffix ".MBLK" to model number, see table below.



Recommended Mounting Height Off Floor
33" min. to 36" max. (840 to 914mm)

Standard B-9806 Series Grab Bars		
Satin Finish Model	Matte Black Finish Model	Overall Size
9806x18	9806x18.MBLK	18" (460mm)
9806x24	9806x24.MBLK	24" (610mm)
9806x36	9806x36.MBLK	36" (760mm)
9806x42	9806x42.MBLK	42" (1067mm)
9806x48	9806x48.MBLK	48" (1219mm)

MATERIALS:

Grab Bar — Type 303, 14-gauge (2mm) stainless steel tubing with satin finish. 1-1/2" outside diameter. Clearance between the grab bar and the wall is 1-1/2" (38.1mm).

Concealed Mounting Flanges — Type 303, 2/5" (10mm) thick, machined solid stainless steel with satin finish. End flanges 2" (50mm) diameter with three holes for attachment to wall.

Flange Covers — Type 303, 1/8" (3mm) thick, machined solid stainless steel with satin finish. 2" (50mm) diameter. Each cover is concealing the mounting screws.

continued . . .

Pillar — Tubing is connected to Mounting Flanges via a metric M8 hex screw, covered by a machined solid pillar, 1/8" (6mm) wall thickness, 1" (25mm) outer diameter. Pillar is securing the flange covers against the mounting flange.

STRENGTH:

Bobrick grab bars that provide 1-1/2" (38.1mm) clearance from wall can support loads in excess of 1,322lbs (600kgs) if properly installed. Other grab bar configurations can support loads in excess of 250 pounds (113kg) if properly installed, complying with accessible design (including ADAAG in the U.S.A.) for structural strength.

Safety Warning: Grab bars are no stronger than the anchors and walls to which they are attached and, therefore, must be firmly secured in order to support the loads for which they are intended. To avoid potential injury, the building owner or maintenance personnel should remove the grab bar from service if the grab bar is not adequately secured to wall.

INSTALLATION:

Provide concealed anchor device or backing as specified or required in accordance with local building codes before wall is finished. Fasten mounting flanges to anchor device or backing. Put flange covers over each mounting flange to conceal mounting screws. Concealed anchor devices and mounting screws are not included with Bobrick grab bars and must be specified as an accessory.

Place flanges in desired mounting location. Use flange as a template to mark location of mounting screws and drive mounting screws into the wall at marked locations. Install grab bar on the wall by placing the flange covers onto the flange followed by the pillars, placed onto the flange covers. Place M8 hex screw with curved washer through the tube's elongate screw holes into the flange and tighten the screw. Eventually snap the two end-covers onto each of the tube's end.

Note: Recommend use of #10 sheet metal screws or wood screws to install flange.

Important Notes:

- 1. **Dry Wall Mounting Kit** — Bobrick offers a mounting kit that allows the FINO-grab bars to be installed in dry walls without backing. Wall requires minimum 5/8" (16mm thick) painted or tiled dry wall.

Mounting Kit No.	Description
9806-20	Consists of a drywall-flange-adapter-kit, part no. 9806-252 and a Wingit™ fastener, part no. 9806-251

- 2. **Glass-Mounting-Kit** — Bobrick offers a mounting kit for Glass-partitions (other material is possible as well) for securing the grab bar from the opposite side of the panel via a "through-fix". Panel-thickness can range from 1/2" to 1-3/8" (12mm-34mm).

Mounting Kit No.	Description
9806-21	Through-fix-set for securing grab bar from opposite side for 1/2" to 1-3/8" (12mm-34mm) panel thickness - comprising of a through-fix-headplate, PU-washers and grub screws

- 3. **"Back-to-back" Mounting Kit** — Bobrick offers a kit for the installation of two grab bars against each other, being on the opposite side of the panel. Panel-thickness can range from 1/2" to 1-3/8" (12mm-34mm).

Mounting Kit No.	Description
9806-22	Set of PU-washers and grub-screws for back-to-back installation for 1/2" to 1-3/8" (12mm-34mm) panel-thickness

SPECIFICATION:

Grab Bar shall be stainless steel with satin finish. Grab bar shall have type 303, 14-gauge (2mm) stainless steel tubing. 1" outside diameter. Clearance between the grab bar and the wall shall be 1" (38.1mm). Concealed Mounting Flanges shall be 2/5" (10mm) thick, threaded solid stainless steel with satin finish, 2" (50mm) diameter, equipped with three screw holes for attachment to wall. Flange Covers shall be 1/8" (3mm) thick, threaded solid stainless steel with satin finish. 2" (50mm) diameter and shall conceal the mounting screws. Threaded solid pillars shall have 1/8" (6mm) wall thickness, 1" (25mm) outer diameter securing the flange covers. A metric M8 hex screw, with a curved washer shall connect the grab bar's tube with the flange. Grab bar shall comply with with accessible design (including ADAAG in the USA) for structural strength.

Grab Bar shall be Model B-9806 _____ (insert length) of Bobrick Washroom Equipment, Inc., Clifton Park, New York; Jackson, Tennessee; Los Angeles, California; Bobrick Washroom Equipment Company, Scarborough, Ontario; Bobrick Washroom Equipment Pty. Ltd., Australia; and Bobrick Washroom Equipment Limited, United Kingdom.