



6A00-11

Liquid Soap / Liquid Sanitizer / Gel Sanitizer Dispenser

Model 6A00-11—Surface-Mounted Liquid Tank Type Vertical **Bradex**[®]

Diplomat Series

Product Materials

BODY: Heavy gauge stainless steel with exposed surfaces in architectural satin finish. Front has matching curvature to other Bradley Diplomat washroom accessories.

WALL PLATE: ABS plastic.

RESERVOIR: reusable, cap-sealed plastic tank, holds 27 oz.

BATTERY BOX: Plastic, holds (3), "C" Alkaline batteries, not included.

INDICATOR LIGHTS: Green light = In "use" and dispensing.
Red flashing light = Low battery.

Capacity

27 oz (800 ml) of usable liquid soap, liquid hand sanitizer*, gel hand sanitizer, and/or iodine only. No pumice or abrasive solutions.

*Liquid hand sanitizer must be 70–95% ethanol solution

Operation

Place hands under spout and hold to dispense liquid (2"-3" sensing range). Sight gauge indicates refill time. Refill by unlocking lock with special key (supplied), swinging open dispenser body. Remove cap to refill internal tank.

Installation

Verify all rough-in dimensions prior to installation. Secure separate mounting bracket with mounting screws (included) at holes provided. Unlock the cover. Open and remove tank and peristaltic tube. Secure unit to wall by installing the mounting screws. Install batteries (not included). Fill and replace the tank and peristaltic tube. Close and lock the cover.

Guide Specification

Soap/Sanitizer Dispenser: Bradley Corp. Diplomat Series Model 6A00: Surface-mounted automatic soap/sanitizer dispenser, with face formed with contemporary contours, radii, and finish matching related accessories in manufacturer's designer series. Capacity is 27 oz (800 ml). Viscosity of soap or sanitizer must be between 1 cps–3,000 cps (centipoise). Dispenser accommodates liquid soap, liquid hand sanitizer, and/or gel sanitizer. If liquid hand sanitizer is used, the sanitizer will be dispensed in a pooled form (not spray or mist). Equipped with hinged cover and completely concealed mounting plate. Vandal resistant filler hole cover and sight gauge. Corrosion-resistant liquid soap/gel sanitizer valve; peristaltic tube with self contained valve/nozzle.

Overall dimensions: 4⁵/₈"W x 10⁹/₁₆"H x 4³/₁₆"D.

MasterFormat Title: Commercial Toilet Accessories

MasterFormat Number: 10 28 13.13

OmniClass Title: Toilet and Bath Specialties

OmniClass Code: 23.31.25.00

Orders composed of products indicated as **Bradex**[®] will be available to ship in three days after receipt of order at the factory. There is no pricing penalty for this service from Bradley.



Model

6A00-11

Surface-Mounted Automatic Soap/Sanitizer Dispenser

Finishes



Brushed Stainless

Product Compliance



ADA / ICC ANSI A117.1, Citation 309.3

Compatible Bradley Products

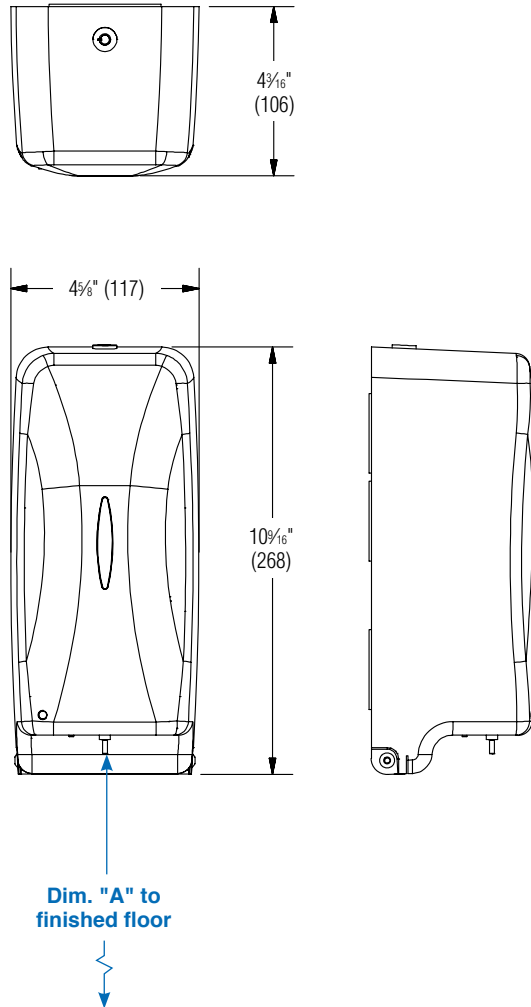
[6A20-110000 Hand Sanitizer/Soap Dispenser Stand](#)

For information on Warranties, Maintenance, and BAA/ARRA Compliance, visit our web site at:
bradleycorp.com/products/accessories/.



Dimensions

(mm)



Dim. "A" Key Surface:	For Dim. "A"	Locate Top of Unit	Locate Bottom of Unit
Bottom of dispensing tube to finished floor	48" (1219)	58" (1473)	47 1/16" (1205)
	45" (1143)	55" (1397)	44 1/16" (1129)
	42" (1067)	52" (1321)	41 1/16" (1053)
	40" (1016)	50" (1270)	39 1/16" (1002)

Orders composed of products indicated as **Bradex**® will be available to ship in three days after receipt of order at the factory. There is no pricing penalty for this service from Bradley.