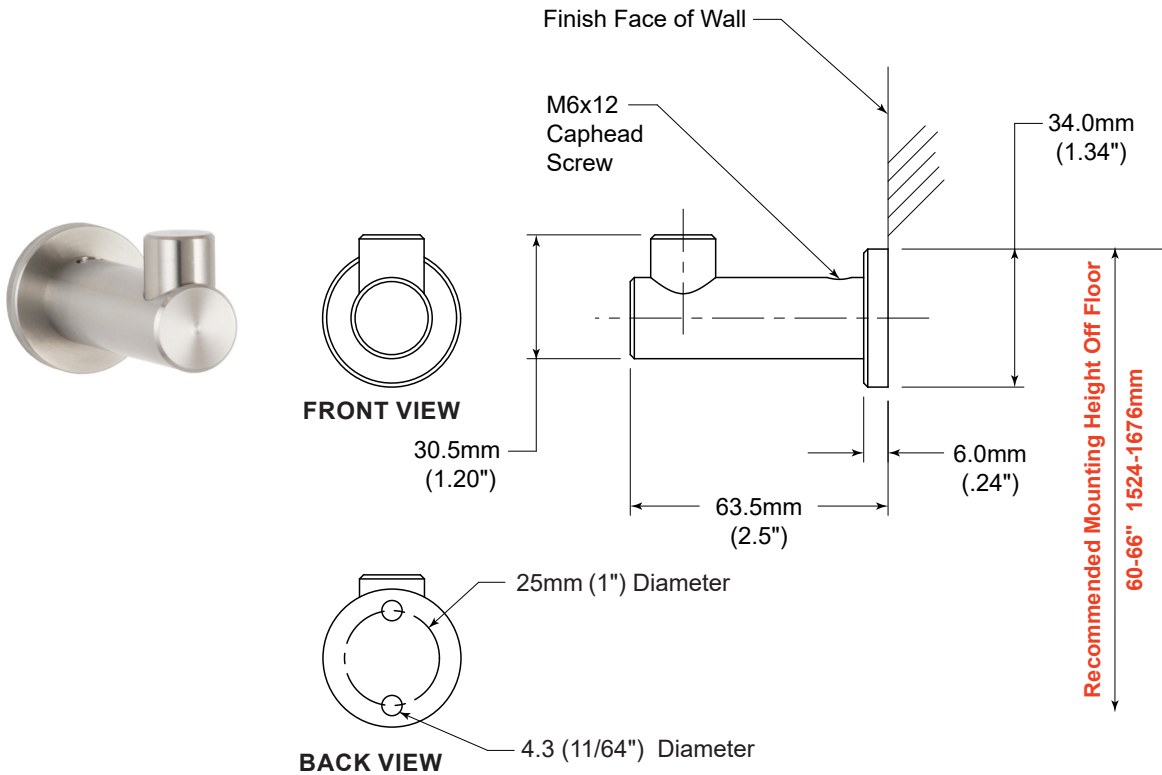




Technical Data

fino collection
COAT HOOK

B-9542



MATERIAL:

Post — Type 303, solid machined stainless steel in satin finish, 20mm (3/4") diameter, 60mm (2-1/4") long. Post is fastened to the flange via set screw, securing the flange cover.

Hook Pin — Type 303, solid machined stainless steel in satin finish, 16mm (5/8") integrated into the post.

Flange Cover — Type 303, solid machined stainless steel in satin finish, 2mm (1/16") thick, 34mm (1-5/16") diameter.

Concealed Mounting Flange — Type 303, solid machined stainless steel, 4mm (5/32") thick, 34mm (1-5/16") diameter, equipped with two mounting holes for attachment to wall.

INSTALLATION:

For plaster or dry wall construction, provide concealed backing to comply with local building codes, then secure unit with sheet-metal screws (not furnished). For other wall surfaces, provide fiber plugs or expansion shields for use with sheet-metal screws (not furnished), or provide 3mm (1/8") toggle bolts or expansion bolts.

For partitions with particle-board or other solid core, secure with sheet-metal screws (not furnished), or provide through-bolts, nuts, and washers. For hollow-core metal partitions, provide solid backing into which the sheet-metal screws (not furnished) can be secured.

SPECIFICATION:

Coat Hook shall be type 303 machined solid stainless steel in satin finish. Coat Hook shall have 20mm (3/4") diameter post with integrated 16mm diameter Hook Pin. Concealed mounting flange shall be 4mm (5/32") thick machined solid stainless steel plate, 34mm (1-5/16") diameter and equipped with two screw holes for attachment. Machined solid flange cover shall be 2mm (1/16") thick stainless steel in satin finish, 34mm (1-5/16") diameter. Set screw shall fasten the post to the flange and secures the flange cover.

Coat Hook shall be Model B-9542 of Bobrick Washroom Equipment, Inc., Clifton Park, New York; Jackson, Tennessee; Los Angeles, California; Bobrick Washroom Equipment Company, Scarborough, Ontario; Bobrick Washroom Equipment Pty. Ltd., Australia; and Bobrick Washroom Equipment Limited, United Kingdom.